

Körperschalllautsprecher EXT-2516E15

Art. Nr. 105009

Specification:

NO	ITEM	SPECIFICATION
1	Mechanical Layout & Dimensions	Shown in the Exciter-02.Drw
2	Nominal Impedance	$8\Omega \pm 15\%$ at 1KHZ, 1.0V (D.C.R= $7.2\Omega \pm 10\%$)
3	Input Power	Nom. Input 20W
		Max. Input 40W
4	Operation	8.94Volt (200Hz-20KHz) Sweep Time at 2s
5	Resonance FerQ F0	$35 \pm 20\%$ HZ (F0 Meter)
6	Flux Density	16000 GAUSS $\pm 10\%$
7	Insulation Resistance	No Less than 1M at DC 100V
8	Polarity	When positive voltage is applied to the (+) Terminal, Voice Coil should move out of the Air gap.
9	Weight	$180g \pm 10\%$ (Exciter weight)
10	Power Test	IEC 268-5 12.64V \ 8 Hours
11	Heat Resistance	Temperature: $+60^{\circ}\text{C} \pm 2^{\circ}\text{C}$
		Duration: 24 hours
12	Humidity Resistance	Temperature: $+40^{\circ}\text{C} \pm 2^{\circ}\text{C}$
		Relative Humidity: 93(+2/-3)%
		Duration: 48 Hours(GB)
13	Low Resistance	Temperature: $-10^{\circ}\text{C} \pm 3^{\circ}\text{C}$ testing 1 Hours (GB)
		And then $-20^{\circ}\text{C} \pm 3^{\circ}\text{C}$ testing 2 Hours(GB)
14	Dropping Test	$600 \pm 25\text{mm}$ $60^{\circ} \pm 5^{\circ}$ (GB)

Körperschalllautsprecher EXT-2516E15

Art. Nr. 105009

Sample Testing Report:

NO	ITEM	TESTING CONDITIONS	No1	No2	No3	No4	Result
1	Speaker Size	Out Diameter : Φ 85.8*85.8 \pm 0.3mm	85.8* 85.8	85.8* 85.8	/	/	OK
2	Impedance	8 Ω \pm 15 % At 1KHZ,1.0V (D.C.R: 7.2 Ω \pm 10%)	7.2	7.2	/	/	OK
3	Resonance Frequency	35Hz \pm 20% (F0 Meter)	35	35	/	/	OK
4	Buzz & Rattle Test	Must Be Normal: Wave 8.94V (Form 200Hz To 20KHz)	√	√	/	/	OK
5	Polarity	When a positive D.C voltage is applied To the voice coil terminal marked to Diaphragm should move to the front	√	√	/	/	OK
6	Flux Density	16000 GAUSS \pm 10%	16000	16000	/	/	OK
7	Power Test	IEC 268-5 12.64V \ 8 Hours	√	√	/	/	OK
8	Heat Resistance	Temperature: +60 $^{\circ}$ C \pm 2 $^{\circ}$ C Duration: 24 Hours	√	√	/	/	OK
9.	Humidity Resistance	Temperature: +40 $^{\circ}$ C \pm 2 $^{\circ}$ C Relative Humidity: 93(+2/-3)% Duration: 48 Hours(GB)	√	√	/	/	OK
10	Low Temperature	Temperature: -10 $^{\circ}$ C \pm 3 $^{\circ}$ C testing 1 Hours And then -20 $^{\circ}$ C \pm 3 $^{\circ}$ C testing 2 Hours(GB)	√	√	/	/	OK
11	Dropping Test	600mm \pm 25mm 60 $^{\circ}$ \pm 5 $^{\circ}$ (GB)	√	√	/	/	OK

Körperschalllautsprecher EXT-2516E15

Art. Nr. 105009

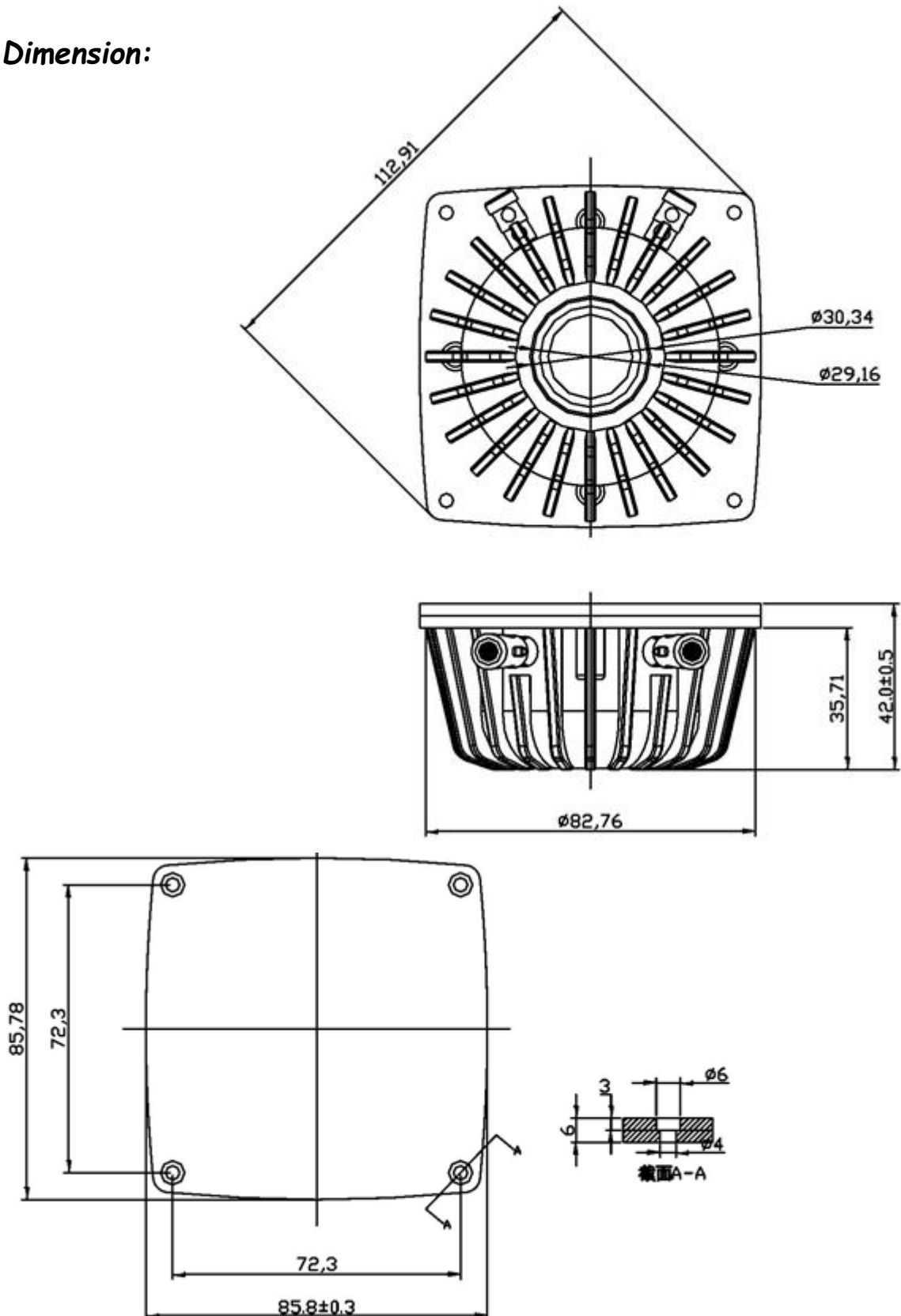
RoHS Substance Confirmation Form:

NO	SUPPLY ITEM		RoHS Substance Inspection Result						Survey Report No
			Cd	Pb	Hg	Cr6+	PBB	PBDE	(6 Material)
	Item	Material	100	1000	1000	1000	1000	1000	Ppm
1	Magnet	N35	ND	ND	ND	Negative	ND	ND	GZ1103028813/CHEM
			OK	OK	OK	OK	OK	OK	2011/03/23
2	U cup/Washer	Fe	ND	ND	ND	Negative	ND	ND	RLSDC000024190002C
			OK	OK	OK	OK	OK	OK	2010/05/10
3	Voice Coil	KSV	ND	ND	ND	ND	ND	ND	RLSZC000740530003
			OK	OK	OK	OK	OK	OK	2010/11/24
4	Back cover	PC	ND	ND	ND	ND	ND	ND	CE/2011/71321A
			OK	OK	OK	OK	OK	OK	2011/07/13
5	Frame	PC	ND	ND	ND	ND	ND	ND	KA/2010/C1706
			OK	OK	OK	OK	OK	OK	2010/01/06
6	Screw	Fe	ND	ND	ND	Negative	NA	NA	CANEC1100852106
			OK	OK	OK	OK	NA	NA	2010/03/18
7	Terminal	/	ND	ND	ND	Negative	ND	ND	CE/2011/12724
			OK	OK	OK	OK	OK	OK	2011/10/20
8	Rubber	/	ND	ND	ND	ND	ND	ND	RLSZD000850880001
			OK	OK	OK	OK	OK	OK	2011/13/23
9	Stainless steel plate	/	ND	ND	ND	Negative	ND	ND	CE/2011/67110
			OK	OK	OK	OK	OK	OK	2011/06/28
10	Glue	GF6000	ND	ND	ND	ND	ND	ND	CE/2011/35347
			OK	OK	OK	OK	OK	OK	2011/03/28

Körperschalllautsprecher EXT-2516E15

Art. Nr. 105009

Dimension:



Version 1 / 04/2024

Körperschalllautsprecher EXT-2516E15

Art. Nr. 105009

